

HOSES, FITTINGS & ACCESSORIES FOR CENTRALIZED LUBRICATION SYSTEMS



Fritsche & Lubrication Scientifics products in the range

| | | |
|---|--|---|
| <p>HIGH PRESSURE HOSE, HOSE ENDS, & CONNECTORS</p>  | <p>MEDIUM PRESSURE HOSE, FITTINGS, & CONNECTORS</p>  | <p>STEEL TUBE FITTINGS, & CONNECTORS</p>  |
| <p>LUBE POINT EXTENSIONS</p>  | <p>45° & 90° ELBOW ADAPTERS, METRIC, & NPT</p>  | <p>SWIVELS & BANJO FITTINGS - METRIC/NPT</p>  |
| <p>FILL FITTINGS, METRIC & NPT</p>  | <p>CHECK (NON-RETURN VALVES) METRIC & NPT</p>  | <p>ZERK (MANUAL LUBE) BARS</p>  |
| <p>GREASE (ZERK) FITTINGS, FILL FITTINGS & PLUGS</p>  |  | <p>ANCHOR BLOCKS & HOSE DROPS, NPTF</p>  |

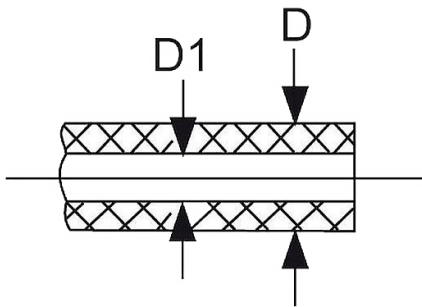
CONTENTS

| SECTION | PAGE |
|--|-------|
| HIGH PRESSURE HOSE, HOSE ENDS, & CONNECTORS | 3-6 |
| MEDIUM PRESSURE HOSE, FITTINGS, & CONNECTORS | 7-10 |
| STEEL TUBE FITTINGS, & CONNECTORS | 11-14 |
| LUBE POINT EXTENSIONS | 15 |
| 45° & 90° ELBOW ADAPTERS, METRIC, & NPT | 16-17 |
| SWIVELS & BANJO FITTINGS, METRIC & NPT | 18-19 |
| FILL FITTINGS, METRIC & NPTF | 20 |
| CHECK (NON-RETURN VALVES, METRIC & NPTF) | 21-23 |
| ZERK (MANUAL LUBE) BARS | 24 |
| GREASE (ZERK) FITTINGS, FILL FITINGS & CLOSURE PLUGS | 25 |
| ANCHOR BLOCKS & HOSE DROPS, NPTF | 26 |

HIGH PRESSURE HOSE, HOSE ENDS, & CONNECTORS

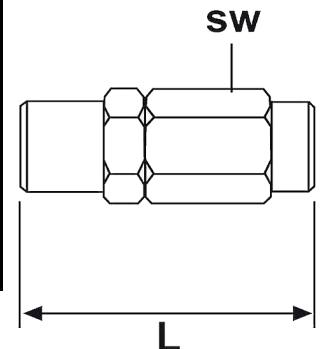
HIGH PRESSURE HOSE

| HIGH PRESSURE HOSE DESCRIPTION | PSI/BAR | D | D1 | PART NUMBER |
|---|--------------|--------|-------|-----------------|
| HIGH PRESSURE HOSE FILLED WITH NLGI 2 GREASE , 50 M COIL | 12,183/840 | 8.6MM | 4.0MM | 100-001 |
| HIGH PRESSURE HOSE, EMPTY , 50 M COIL | 12,183/840 | 8.6MM | 4.0M | 100-002 |
| HIGH-PRESSURE HOSE FILLED WITH | 12,183/840 | 11.3MM | 6.3M | 100-011 |
| HIGH-PRESSURE HOSE, EMPTY, 100 M COIL | 12,183/840 | 11.3MM | 6.3M | 100-012 |
| HIGH-PRESSURE HOSE FILLED WITH NLGI 2 GREASE , 100 M COIL | 12,183 / 840 | 5/16IN | 1/8IN | 4010-101 |
| HIGH-PRESSURE HOSE, EMPTY, 100 | 12,183 / 840 | 5/16IN | 1/8IN | 4010-100 |



HIGH PRESSURE SCREW SLEEVES

| SCREW SLEEVE DESCRIPTION | FIG. | HOSE ID X OD | L | SW | PART NUMBER |
|----------------------------------|------|--------------|--------|-------|-------------------|
| STEEL THREADED HOSE SLEEVE | 1 | 4,1 x 8,75 | 28MM | 12MM | 100-050 |
| STEEL THREADED HOSE SLEEVE | 1 | 1/8 X 5/16 | 26MM | 12MM | 100-050-1 |
| THREADED HOSE SLEEVE, BLACK ZINC | 1 | 4,1 x 8,75 | 28MM | 12MM | 100-050-SW |
| SS THREADED HOSE SLEEVE | 1 | 4,1 x 8,75 | 28MM | 12MM | 100-050-VA |
| STEEL THREADED HOSE SLEEVE | 1 | 6.35 X 11.3 | 35.8MM | 17MM | 100-060 |
| SS THREADED HOSE SLEEVE | 1 | 6.35 X 11.3 | 35.8MM | 17MM | 100-060-VA |
| SS THREADED HOSE SLEEVE | 1 | 1/8 X 5/16 | 26MM | 1/2IN | 3010-001 |



HIGH PRESSURE STRAIGHT HOSE STUDS

| STRAIGHT HOSE STUD DESCRIPTION | FIG. | HOSE ID X OD | G | D | L | SW | SW 1 | PART NUMBER |
|--|------|--------------|---------|--------|--------|--------|------|----------------|
| STEEL HOSE STUD STRAIGHT | 1 | 4,1 x 8,75 | N/A | 6MM | 30MM | 10MM | N/A | 100-051 |
| STEEL HOSE STUD STRAIGHT | 4 | 1/8 X 5/16 | 1/8 NPT | 1/8IN | N/A | 7/16IN | N/A | 100-051-1 |
| STEEL HOSE STUD STRAIGHT | 1 | 4,1 x 8,75 | N/A | 8MM | 30MM | 10MM | N/A | 100-051-8 |
| STEEL HOSE STUD STRAIGHT, PUSH LOCK | 2 | 4,1 x 8,75 | N/A | 6MM | 20MM | 10MM | N/A | 100-051-NUT |
| SS HOSE STUD STRAIGHT | 1 | 4,1 x 8,75 | N/A | 6MM | 30MM | 10MM | N/A | 100-051-VA |
| STEEL HOSE STUD STRAIGHT | 1 | 4,1 x 8,75 | N/A | 6MM | 20MM | 10MM | N/A | 100-054 |
| STEEL HOSE STUD STRAIGHT, PUSH LOCK | 1 | 4,1 x 8,75 | N/A | 6MM | 20MM | 10MM | N/A | 100-054-NUT |
| STEEL HOSE STUD STRAIGHT, PUSH LOCK, BLACK | 2 | 4,1 x 8,75 | N/A | 6MM | 21.5MM | 10MM | N/A | 100-054-NUT-SW |
| STEEL HOSE STUD STRAIGHT | 1 | 4,1 x 8,75 | N/A | 6MM | 24MM | 10MM | N/A | 100-055 |
| STEEL HOSE STUD STRAIGHT, HOSE UNION | 3 | 4,1 x 8,75 | N/A | N/A | 56MM | 10MM | N/A | 100-061 |
| STEEL HOSE STUD STRAIGHT | 1 | 6.35 X 11.3 | N/A | 6MM | 20MM | 12MM | N/A | 100-064 |
| STEEL HOSE STUD STRAIGHT, PUSH LOCK | 1 | 6.35 X 11.3 | N/A | 6MM | 20MM | 12MM | N/A | 100-064-NUT |
| SS HOSE STUD STRAIGHT | 1 | 6.35 X 11.3 | N/A | 6MM | 20MM | 12MM | N/A | 100-064-VA |
| STEEL HOSE STUD STRAIGHT | 1 | 6.35 X 11.3 | N/A | 8MM | 20MM | 12MM | N/A | 100-074 |
| SS HOSE STUD STRAIGHT | 1 | 6.35 X 11.3 | N/A | 8MM | 20MM | 12MM | N/A | 100-074-VA |
| STEEL HOSE STUD STRAIGHT | 1 | 6.35 X 11.3 | N/A | 10MM | 30MM | 12MM | N/A | 100-081 |
| STEEL HOSE STUD STRAIGHT | 1 | 4,1 x 8,75 | N/A | 6MM | 65.5MM | 10MM | N/A | 100-091 |
| STEEL HOSE STUD STRAIGHT (NON SWIVEL) | 5 | 4,1 x 8,75 | M10 x 1 | 6LL | N/A | 11MM | N/A | 3510-101 |
| STEEL HOSE STUD STRAIGHT | 1 | 4,1 x 8,75 | N/A | 1/4IN | 30MM | 11MM | N/A | 3510-110 |
| STEEL HOSE STUD STRAIGHT, PUSH LOCK | 2 | 4,1 x 8,75 | N/A | 1/4IN | 30MM | 11MM | N/A | 3510-111 |
| STEEL HOSE STUD STRAIGHT, PUSH LOCK | 2 | 1/8 X 5/16 | N/A | 1/4IN | 1/18IN | 7/16IN | N/A | 3510-112 |
| STEEL HOSE STUD STRAIGHT | 1 | 4,1 x 8,75 | N/A | 3/16IN | 20MM | 10MM | N/A | 3510-113 |
| HOSE STUD, STRAIGHT, STEEL, #4 JIC SWIVEL | 6 | 4,1 x 8,75 | #4 JIC | N/A | N/A | 14MM | 14MM | 3510-114 |

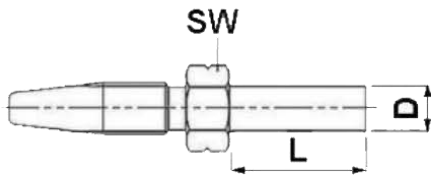


FIG 1

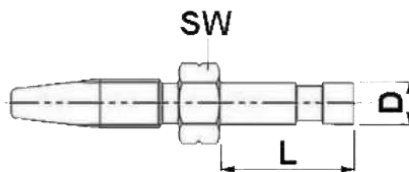


FIG 2

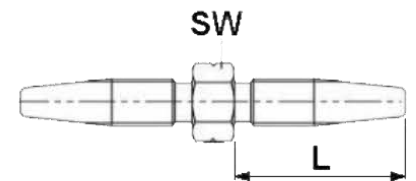


FIG 3

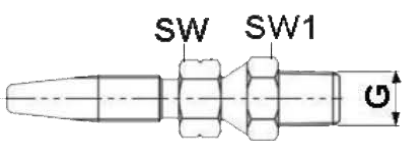


FIG 4

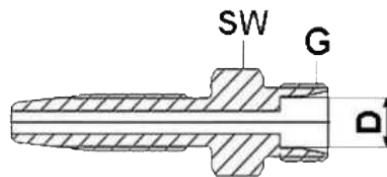


FIG 5

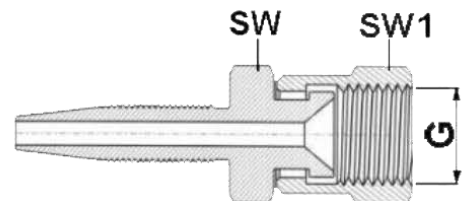


FIG 6

HIGH PRESSURE 90° HOSE STUDS

| 90° HOSE STUD DESCRIPTION | FIG. | HOSE ID X OD | D | H | L | SW | SW1 | PART NUMBER |
|---------------------------------------|------|--------------|--------|--------|--------|--------|------|-----------------------|
| STEEL HOSE STUD 90° | 1 | 4,1 x 8,75 | 6MM | 13MM | 21MM | 10MM | N/A | 100-052 |
| STEEL HOSE STUD 90° | 1 | 4,1 x 8,75 | 6MM | 28MM | 37MM | 10MM | N/A | 100-053 |
| STEEL HOSE STUD 90°, PUSH LOCK | 2 | 4,1 x 8,75 | 6MM | 28MM | 37MM | 10MM | N/A | 100-053-NUT |
| STEEL HOSE STUD 90°, PUSH LOCK, BLACK | 2 | 4,1 x 8,75 | 6MM | 28MM | 37MM | 10MM | N/A | 100-053-NUT-SW |
| SS HOSE STUD 90° | 2 | 4,1 x 8,75 | 6MM | 28MM | 37MM | 10MM | N/A | 100-053-NUT-VA |
| SS HOSE STUD 90° | 1 | 4,1 x 8,75 | 6MM | 28MM | 37MM | 10MM | N/A | 100-053-VA |
| STEEL HOSE STUD 90° | 1 | 4,1 x 8,75 | 6MM | 28MM | 53MM | 10MM | N/A | 100-056 |
| STEEL HOSE STUD 90°, PUSH LOCK | 2 | 4,1 x 8,75 | 6MM | 28MM | 53MM | 10MM | N/A | 100-056-NUT |
| STEEL HOSE STUD 90° | 1 | 4,1 x 8,75 | 6MM | 14MM | 33MM | 10MM | N/A | 100-059 |
| STEEL HOSE STUD 90° | 1 | 4,1 x 8,75 | 4MM | 14MM | 30MM | 10MM | N/A | 100-059-4 |
| STEEL HOSE STUD 90° | 1 | 4,1 x 8,75 | 6MM | 17MM | 28MM | 10MM | N/A | 100-062 |
| STEEL HOSE STUD 90° | 1 | 6.35 X 11.3 | 6MM | 22MM | 45MM | 12MM | N/A | 100-063 |
| STEEL HOSE STUD 90° | 1 | 6.35 X 11.3 | 8MM | 23MM | 36MM | 12MM | N/A | 100-073 |
| SS HOSE STUD 90° | 1 | 6.35 X 11.3 | 8MM | 23MM | 26MM | 12MM | N/A | 100-073-VA |
| STEEL HOSE STUD 90° | 1 | 6.35 X 11.3 | 8MM | 23MM | 55MM | 12MM | N/A | 100-076 |
| STEEL HOSE STUD 90° | 1 | 6.35 X 11.3 | 10MM | 23MM | 36MM | 12MM | N/A | 100-083 |
| STEEL HOSE STUD 90° | 2 | 1/8 X 5/16 | 1/4IN | 1.06IN | 1.18IN | 7/16IN | N/A | 3510-112 |
| STEEL HOSE STUD 90° | 1 | 4,1 x 8,75 | 3/16IN | 14MM | 32MM | 10MM | N/A | 3511-113 |
| STEEL HOSE STUD 90° | 1 | 4,1 x 8,75 | 1/4IN | 28MM | 37MM | 11MM | N/A | 3511-110 |
| STEEL HOSE STUD 90°, PUSH LOCK | 2 | 4,1 x 8,75 | 1/4IN | 28MM | 37MM | 11MM | N/A | 3511-111 |
| STEEL HOSE STUD 90°, #JIC SWIVEL | 4 | 4,1 x 8,75 | N/A | 20.7MM | 25.7MM | 14MM | 14MM | 3511-114 |
| SS HOSE STUD 90° | 1 | 6.35 X 11.3 | 6MM | 22MM | 45MM | 12MM | N/A | 3511-210 |
| SS HOSE STUD 90° | 1 | 6.35 X 11.3 | 10MM | 23MM | 36MM | 12MM | N/A | 3511-212 |

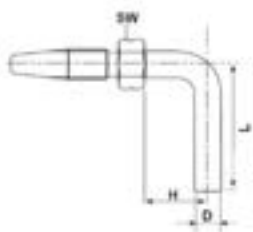


FIG 1



FIG 2

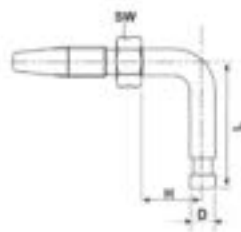


FIG 3



FIG 4

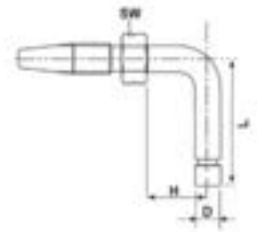


FIG 5

| 45° HOSE STUD DESCRIPTION | FIG. | HOSE ID X OD | D | H | L | SW | PART NUMBER |
|---------------------------------------|------|--------------|-------|------|------|------|-----------------------|
| STEEL HOSE STUD 45° | 1 | 4,1 x 8,75 | 6MM | 24MM | 15MM | 10MM | 100-057 |
| STEEL HOSE STUD 45°, PUSH LOCK | 2 | 4,1 x 8,75 | 6MM | 24MM | 15MM | 10MM | 100-057-NUT |
| STEEL HOSE STUD 45° | 1 | 4,1 x 8,75 | 6MM | 24MM | 25MM | 10MM | 100-058 |
| STEEL HOSE STUD 45°, PUSH LOCK | 2 | 4,1 x 8,75 | 6MM | 35MM | 25MM | 10MM | 100-058-NUT |
| STEEL HOSE STUD 45°, PUSH LOCK, BLACK | 2 | 4,1 x 8,75 | 6MM | 35MM | 25MM | 10MM | 100-058-NUT-SW |
| SS HOSE STUD 45° | 2 | 4,1 x 8,75 | 6MM | 35MM | 25MM | 10MM | 100-058-VA |
| STEEL HOSE STUD 45° | 1 | 6.35 X 11.3 | 6MM | 35MM | 25MM | 12MM | 100-068 |
| STEEL HOSE STUD 45° | 1 | 6.35 X 11.3 | 8MM | 35MM | 25MM | 12MM | 100-078 |
| STEEL HOSE STUD 45° | 1 | 4,1 x 8,75 | 1/4IN | 35MM | 25MM | 11MM | 3512-110 |
| STEEL HOSE STUD 45°, PUSH LOCK | 2 | 4,1 x 8,75 | 1/4IN | 35MM | 25MM | 11MM | 3512-111 |

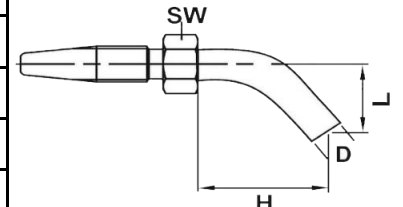


FIG 1

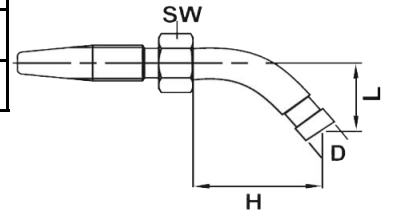
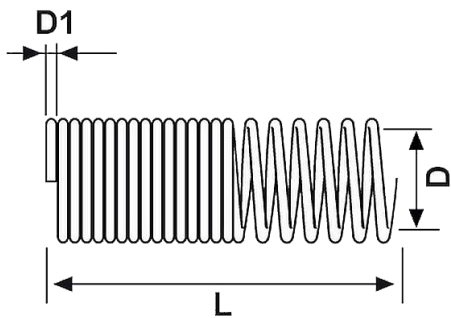


FIG 2

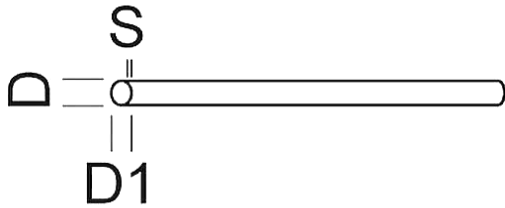
STAINLESS STEEL SPRING COILS FOR SHIELDING HIGH PRESSURE HOSE

| SPRING COIL DESCRIPTION | L | D | D1 | PART NUMBER |
|-------------------------|--------|--------|-------|-------------------|
| SS SPRING COIL (SHORT) | 200MM | 10.6MM | 1.2MM | 100-045-VA |
| SS SPRING COIL (LONG) | 2000MM | 10.6MM | 1.2MM | 100-046-VA |
| SS SPRING COIL (LONG) | 5000MM | 10.6MM | 1.2MM | 100-047-VA |



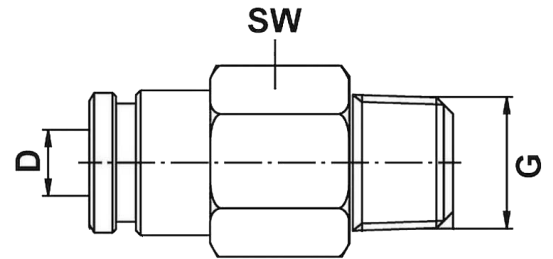
MEDIUM PRESSURE PLASTIC HOSE

| PLASTIC TUBE DESCRIPTION | PSI/BAR | D | D1 | S | PART NUMBER |
|--|----------|-----|-------|-------|-------------------|
| PLASTIC TUBE SEMI-RIGID, 4X.85, 50M COIL (BLACK) | 1,044/72 | 4MM | 2.3MM | .85MM | 100-010 |
| PLASTIC TUBE SEMI-RIGID, 6X1.5, 100M COIL (BLACK) | 1,044/72 | 6MM | 3.0MM | .85MM | 100-003 |
| PLASTIC TUBE SEMI-RIGID, 4X.85 50M COIL (BLACK) | 1,291/89 | 4MM | 2.3MM | .85MM | 100-006 |
| PLASTIC TUBE SEMI-RIGID, 4X.85 50M COIL (CLEAR) | 1,291/89 | 4MM | 2.3MM | .85MM | 100-006-T |
| PLASTIC TUBE SEMI-RIGID, 6X1.5, 25M COIL (BLACK) | 1,291/89 | 6MM | 3.0MM | 1.5MM | 100-003-25 |
| HIGH-PRESSURE HOSE FILLED WITH NLGI 2 GREASE , 25 M COIL | 1,291/89 | 6MM | 3.0MM | 1.5MM | 100-009-25 |



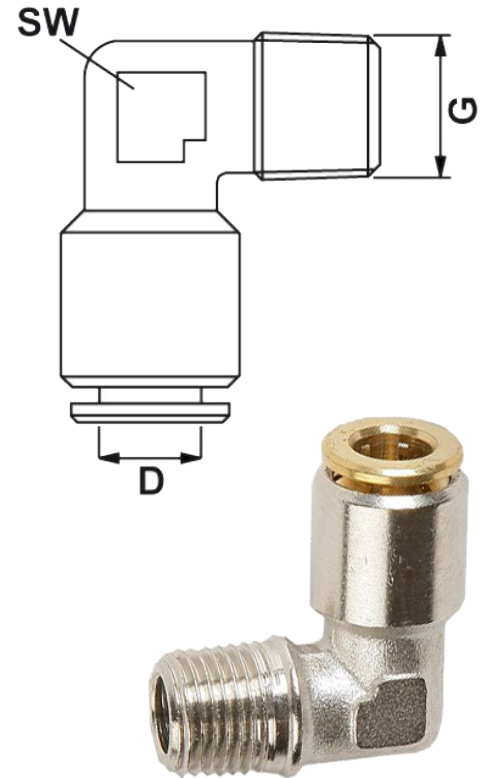
PUSH-IN STRAIGHT THREADED CONNECTORS FOR MEDIUM PRESSURE HOSE

| PUSH-IN STRAIGHT CONNECTOR DESCRIPTION | G | D | SW | PART NUMBER |
|--|------------|-------|------|--------------------|
| BRASS PLATED PUSH-IN - STRAIGHT CONNECTORS | 6X1 | 4MM | 10MM | 104-051 |
| BRASS PLATED PUSH-IN - STRAIGHT CONNECTORS | 8X1 | 4MM | 10MM | 104-052 |
| BRASS PLATED PUSH-IN - STRAIGHT CONNECTORS | 10X1 | 4MM | 11MM | 104-053 |
| BRASS PLATED PUSH-IN - STRAIGHT CONNECTORS | 1/8 BSP | 4MM | 10MM | 104-054 |
| BRASS PLATED PUSH-IN - STRAIGHT CONNECTORS | 1/8 NPT | 4MM | 11MM | 104-054-NPT |
| BRASS PLATED PUSH-IN - STRAIGHT CONNECTORS | 1/4-28 UNF | 4MM | 11MM | 104-055-UNF |
| BRASS PLATED PUSH-IN - STRAIGHT CONNECTORS | 6X1 | 4MM | 12MM | 106-051 |
| BRASS PLATED PUSH-IN - STRAIGHT CONNECTORS | 8X1 | 6MM | 12MM | 106-052 |
| BRASS PLATED PUSH-IN - STRAIGHT CONNECTORS | 10X1 | 6MM | 12MM | 106-053 |
| BRASS PLATED PUSH-IN - STRAIGHT CONNECTORS | 1/8 BSP | 6MM | 12MM | 106-054 |
| BRASS PLATED PUSH-IN - STRAIGHT CONNECTORS | 1/8 NPT | 6MM | 12MM | 106-054-NPT |
| BRASS PLATED PUSH-IN - STRAIGHT CONNECTORS | 1/4-28 UNF | 6MM | 12MM | 106-055-UNF |
| BRASS PLATED PUSH-IN - STRAIGHT CONNECTORS | 1/4-28 UNF | 1/4IN | 12MM | 2010-101 |
| BRASS PLATED PUSH-IN - STRAIGHT CONNECTORS | 1/8 NPT | 1/4IN | 12MM | 2010-102 |



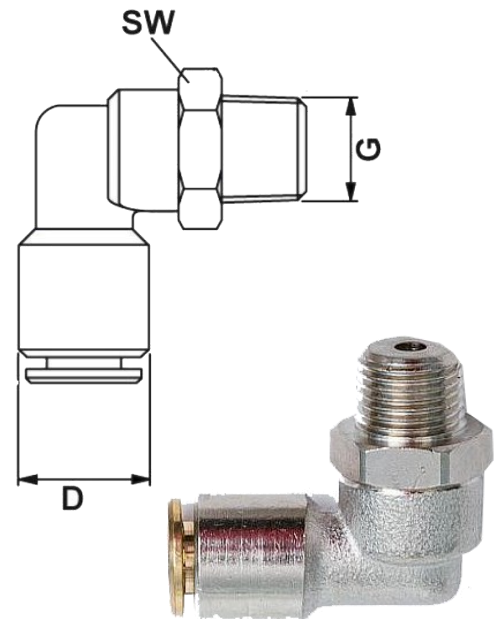
PUSH-IN THREADED ELBOW CONNECTORS FOR MEDIUM PRESSURE HOSE

| PUSH-IN ELBOW CONNECTOR DESCRIPTION | G | D | SW | PART NUMBER |
|---------------------------------------|------------|-------|------|--------------------|
| BRASS PLATED PUSH-IN ELBOW-CONNECTORS | 6X1 | 4MM | 10MM | 104-151 |
| BRASS PLATED PUSH-IN ELBOW-CONNECTORS | 8X1 | 4MM | 10MM | 104-152 |
| BRASS PLATED PUSH-IN ELBOW-CONNECTORS | 10X1 | 4MM | 10MM | 104-153 |
| BRASS PLATED PUSH-IN ELBOW-CONNECTORS | 1/8 BSP | 4MM | 10MM | 104-154 |
| BRASS PLATED PUSH-IN ELBOW-CONNECTORS | 1/8 NPT | 4MM | 10MM | 104-154-NPT |
| BRASS PLATED PUSH-IN ELBOW-CONNECTORS | 1/4-28 UNF | 4MM | 10MM | 104-155-UNF |
| BRASS PLATED PUSH-IN ELBOW-CONNECTORS | 6X1 | 6MM | 10MM | 106-151 |
| BRASS PLATED PUSH-IN ELBOW-CONNECTORS | 8X1 | 6MM | 10MM | 106-152 |
| BRASS PLATED PUSH-IN ELBOW-CONNECTORS | 10X1 | 6MM | 10MM | 106-153 |
| BRASS PLATED PUSH-IN ELBOW-CONNECTORS | 1/8 BSP | 6MM | 10MM | 106-154 |
| BRASS PLATED PUSH-IN ELBOW-CONNECTORS | 1/8 NPT | 6MM | 10MM | 106-154-NPT |
| BRASS PLATED PUSH-IN ELBOW-CONNECTORS | 1/4-28 UNF | 6MM | 10MM | 106-155-UNF |
| BRASS PLATED PUSH-IN ELBOW-CONNECTORS | 1/4-28 UNF | 1/4IN | 10MM | 2011-101 |
| BRASS PLATED PUSH-IN ELBOW-CONNECTORS | 1/8 NPT | 1/4IN | 10MM | 2011-102 |



PUSH-IN-90° THREADED SWIVELS FOR MEDIUM PRESSURE HOSE

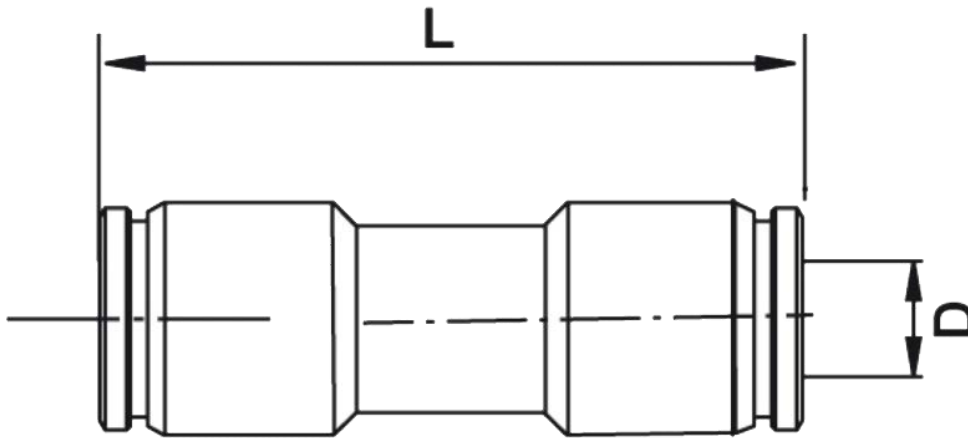
| PUSH-IN-90° SWIVEL DESCRIPTION | G | D | SW | PART NUMBER |
|--|------------|-------|------|--------------------|
| BRASS PLATED PUSH-IN-90° SWIVELS | 6X1 | 4MM | 13MM | 104-111 |
| BRASS PLATED PUSH-IN-90° SWIVELS | 8X1 | 4MM | 13MM | 104-112 |
| BRASS PLATED PUSH-IN-90° SWIVELS | 10X1 | 4MM | 13MM | 104-113 |
| BRASS PLATED PUSH-IN-90° SWIVELS | 1/8 BSP | 4MM | 13MM | 104-114 |
| BRASS PLATED PUSH-IN-90° SWIVELS | 1/8 NPT | 4MM | 13MM | 104-114-NPT |
| BRASS PLATED PUSH-IN-90° SWIVELS, FREELY MOVABLE | 1/4-28 UNF | 4MM | 13MM | 104-115-UNF |
| BRASS PLATED PUSH-IN-90° SWIVELS, FREELY MOVABLE | 6X1 | 6MM | 13MM | 106-111 |
| BRASS PLATED PUSH-IN-90° SWIVELS, FREELY MOVABLE | 8X1 | 6MM | 13MM | 106-112 |
| BRASS PLATED PUSH-IN-90° SWIVELS, FREELY MOVABLE | 10X1 | 6MM | 13MM | 106-113 |
| BRASS PLATED PUSH-IN-90° SWIVELS, FREELY MOVABLE | 1/8 BSP | 6MM | 13MM | 106-114 |
| BRASS PLATED PUSH-IN-90° SWIVELS, FREELY MOVABLE | 1/8 NPT | 6MM | 13MM | 106-114-NPT |
| BRASS PLATED PUSH-IN-90° SWIVELS, FREELY MOVABLE | 1/4-28 UNF | 6MM | 13MM | 106-115-UNF |
| BRASS PLATED PUSH-IN-90° SWIVELS, FREELY MOVABLE | 1/8 NPT | 1/4IN | 13MM | 2012-102 |
| BRASS PLATED PUSH-IN-90° SWIVELS, FREELY MOVABLE | 1/4-28 UNF | 1/4IN | 13MM | 2012-101 |



*OPERATING PRESSURE OF ALL PUSH-IN FITTING IS 1160 PSI / 80 BAR

PUSH-IN TUBING CONNECTORS FOR MEDIUM PRESSURE HOSE

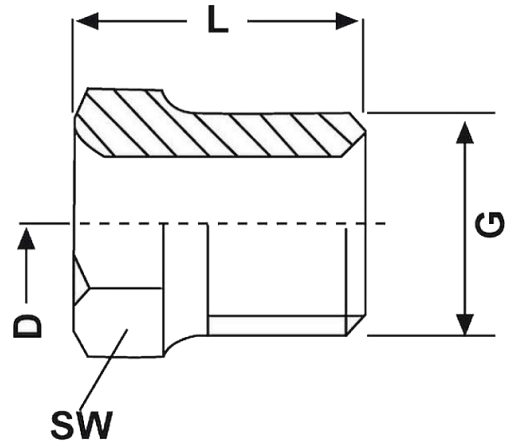
| PUSH-IN CONNECTOR DESCRIPTION | D | L | PART NUMBER |
|---------------------------------|-------|--------|-----------------|
| BRASS PLATED PUSH-IN CONNECTORS | 4MM | 30MM | 104-110 |
| BRASS PLATED PUSH-IN CONNECTORS | 6MM | 33.5MM | 106-110 |
| BRASS PLATED PUSH-IN CONNECTORS | 1/4IN | 35.5MM | 2013-100 |



*OPERATING PRESSURE OF ALL PUSH-IN FITTING IS 1160 PSI / 80 BAR

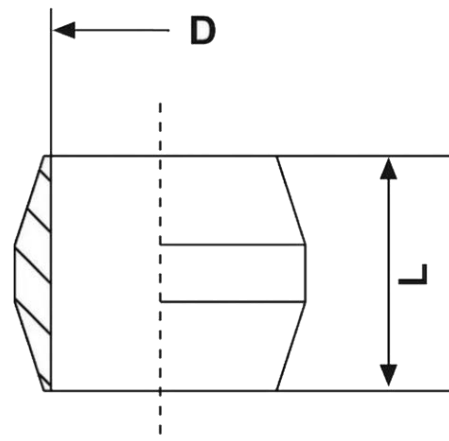
SOCKET UNION FOR DOUBLE CONE FERRULES (DRIVES) FOR PLASTIC TUBE

| SOCKET UNION FOR DOUBLE CONE DRIVE DESCRIPTION | G | D | L | SW | PART NUMBER |
|--|------|-----|------|------|-------------|
| STEEL SOCKET UNION FOR DOUBLE CONE | 8X1 | 4MM | 12MM | 8MM | 104-205 |
| STEEL SOCKET UNION FOR DOUBLE CONE | 10X1 | 6MM | 14MM | 10MM | 106-205 |



DOUBLE CONE FERRULES (DRIVES) FOR PLASTIC TUBE

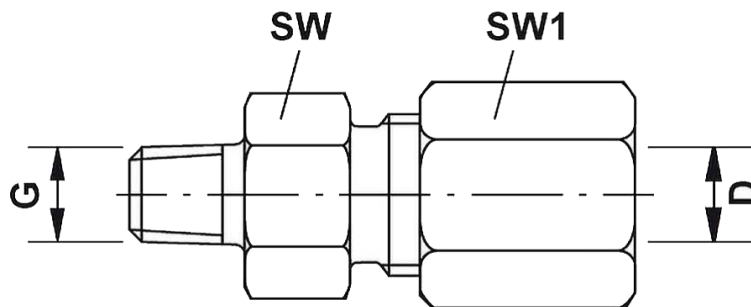
| DOUBLE CONE DRIVE DESCRIPTION | D | L | PART NUMBER |
|-------------------------------|-----|-------|--------------|
| BRASS DOUBLE CONE DRIVE | 4MM | 5.5MM | 104-215 |
| BRASS DOUBLE CONE DRIVE | 6MM | 7MM | 106-215 |
| SS M10 X 1.0 PLUG | 4MM | 7MM | 1202-400 |
| SS TUBE NUT | 6MM | 7MM | FL316-401-6 |
| M10 X 1.0 CONNECTOR | 6MM | 7MM | 1202-401-6 |
| SS M10 X 1.0 CONNECTOR | 4MM | 7MM | 1202-401-4MK |
| SS M10 X 1.0 CONNECTOR | 6MM | 7MM | 1202-401-6MK |



STEEL TUBE FITTINGS & CONNECTORS

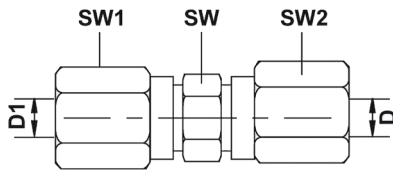
STRAIGHT SCREW COUPLINGS FOR STEEL TUBE

| STRAIGHT SCREW COUPLING DESCRIPTION | G | D | SW | SW1 | PART NUMBER |
|---|---------|-----|------|------|---------------------|
| STEEL STRAIGHT SCREW COUPLING | 6X1 | 4MM | 9MM | 10MM | 104-001 |
| STEEL STRAIGHT SCREW COUPLING | 10X1 | 4MM | 9MM | 10MM | 104-002 |
| STEEL STRAIGHT SCREW COUPLING | 10X1 | 4MM | 11MM | 10MM | 104-003 |
| STEEL STRAIGHT SCREW COUPLING | 6X1 | 6MM | 11MM | 12MM | 106-001 |
| SS STRAIGHT SCREW COUPLING | 6X1 | 6MM | 11MM | 12MM | 106-001-VA |
| STEEL STRAIGHT SCREW COUPLING | 8X1 | 6MM | 11MM | 12MM | 106-002 |
| SS STRAIGHT SCREW COUPLING | 8X1 | 6MM | 11MM | 12MM | 106-002-VA |
| STEEL STRAIGHT SCREW COUPLING | 10X1 | 6MM | 11MM | 12MM | 106-003 |
| SS STRAIGHT SCREW COUPLING | 10X1 | 6MM | 11MM | 12MM | 106-003-VA |
| STEEL STRAIGHT SCREW COUPLING | 1/8 BSP | 6MM | 11MM | 12MM | 106-004 |
| SS STRAIGHT SCREW COUPLING | 1/8 BSP | 6MM | 11MM | 12MM | 106-004-VA |
| STEEL STRAIGHT SCREW COUPLING | 1/8 NPT | 6MM | 11MM | 12MM | 106-004-NPT |
| STEEL STRAIGHT SCREW COUPLING | 1/4 BSP | 6MM | 19MM | 14MM | 106-005-L |
| STEEL STRAIGHT SCREW COUPLING | 10X1 | 8MM | 14MM | 14MM | 108-003 |
| SS STRAIGHT SCREW COUPLING | 10X1 | 8MM | 17MM | 17MM | 108-003-VA-L |
| STEEL MALE CONNECTOR, STRAIGHT COUPLING | 1/8 BSP | 8MM | 19MM | 14MM | 108-004-L |
| STEEL STRAIGHT SCREW COUPLING | 1/4 BSP | 8MM | 19MM | 17MM | 108-005-L |



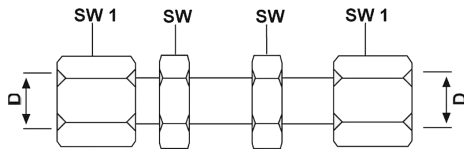
STRAIGHT CONNECTORS FOR STEEL TUBE

| STRAIGHT CONNECTOR DESCRIPTION | D | D1 | SW | SW1 | SW2 | PART NUMBER |
|--------------------------------|-----|-----|------|------|------|-------------|
| STEEL CONNECTOR STRAIGHT | 4MM | 4MM | 11MM | 10MM | 12MM | 104-000-6 |
| SS CONNECTOR STRAIGHT | 4MM | 4MM | 9MM | 10MM | 10MM | 104-000-VA |
| STEEL CONNECTOR STRAIGHT | 6MM | 6MM | 11MM | 12MM | 12MM | 106-000 |
| SS CONNECTOR STRAIGHT | 6MM | 6MM | 10MM | 11MM | 12MM | 106-000-VA |



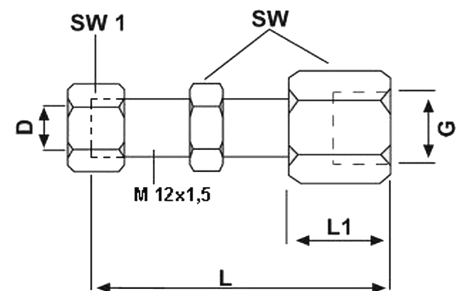
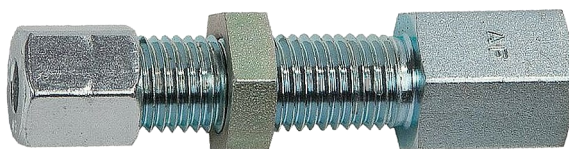
STRAIGHT BULKHEAD FOR STEEL TUBE

| STRAIGHT BULKHEAD DESCRIPTION | D | SW | SW1 | PART NUMBER |
|-------------------------------|-----|------|------|-------------|
| STEEL BULKHEAD STRAIGHT | 6MM | 17MM | 14MM | 106-221-L |



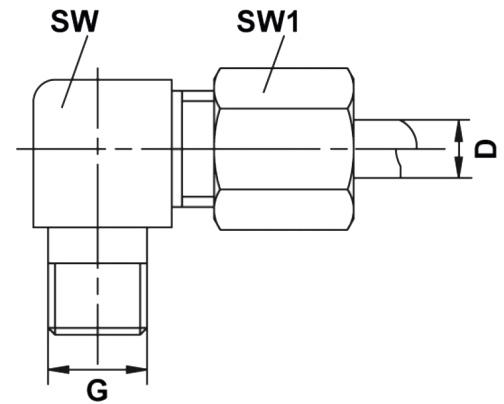
STRAIGHT BULKHEAD M 6x1 / M 10x1 FOR STEEL TUBE

| STRAIGHT BULKHEAD DESCRIPTION | G | D | SW | SW1 | L | L1 | PART NUMBER |
|-------------------------------|------|-----|------|------|------|------|-------------|
| STEEL BULKHEAD STRAIGHT | 10X1 | 6MM | 17MM | 14MM | 60MM | 20MM | 106-243-L |



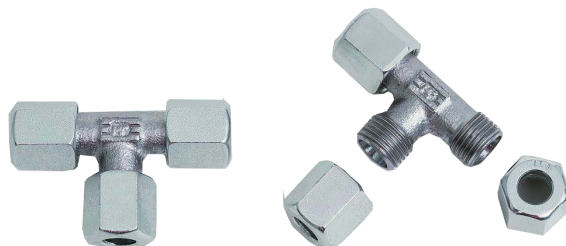
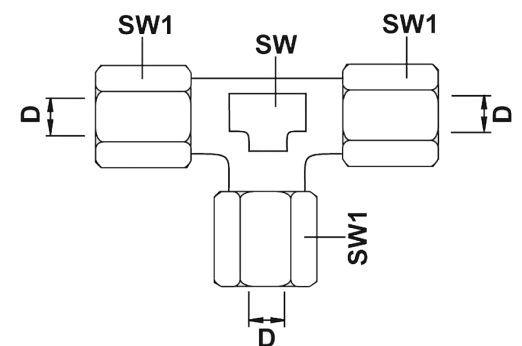
ELBOW SCREW FITTINGS FOR STEEL TUBE

| ELBOW SCREW FITTING DESCRIPTION | G | D | SW | SW1 | PART NUMBER |
|------------------------------------|---------|-----|---------------|------------|-------------|
| STEEL ELBOW SCREW FITTING COMPLETE | 6X1 | 4MM | 9MM | 10MM | 104-101 |
| STEEL ELBOW SCREW FITTING COMPLETE | 8X1 | 4MM | 9MM | 10MM | 104-102 |
| STEEL ELBOW SCREW FITTING COMPLETE | 10X1 | 4MM | 11MM | 10MM | 104-103 |
| STEEL ELBOW SCREW FITTING COMPLETE | 1/8 BSP | 4MM | 11MM | 10MM | 104-104 |
| STEEL ELBOW SCREW FITTING COMPLETE | 6X1 | 6MM | 11MM | 12MM | 106-101 |
| SS ELBOW SCREW FITTING COMPLETE | 6X1 | 6MM | 11MM | 12MM | 106-101-VA |
| STEEL ELBOW SCREW FITTING COMPLETE | 8X1 | 6MM | 11MM | 12MM | 106-102 |
| SS ELBOW SCREW FITTING COMPLETE | 8X1 | 6MM | 11MM | 12MM | 106-102-VA |
| STEEL ELBOW SCREW FITTING COMPLETE | 10X1 | 6MM | 11MM | 12MM | 106-103 |
| SS ELBOW SCREW FITTING COMPLETE | 10X1 | 6MM | 11MM <td 12MM | 106-103-VA | |
| STEEL ELBOW SCREW FITTING COMPLETE | 1/8 BSP | 6MM | 11MM | 12MM | 106-104 |
| STEEL ELBOW SCREW FITTING COMPLETE | 1/8 NPT | 6MM | 11MM | 12MM | 106-104-NPT |
| SS ELBOW SCREW FITTING COMPLETE | 1/8 BSP | 6MM | 11MM | 12MM | 106-104-VA |
| STEEL ELBOW SCREW FITTING COMPLETE | 1/4 BSP | 6MM | 12MM | 14MM | 106-105-L |
| STEEL ELBOW SCREW FITTING COMPLETE | 10X1 | 8MM | 12MM | 14MM | 108-103 |
| STEEL ELBOW SCREW FITTING COMPLETE | 1/4 BSP | 8MM | 12MM | 17MM | 108-105-L |



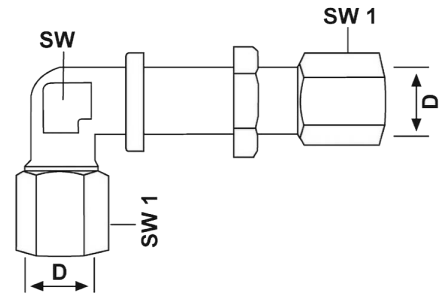
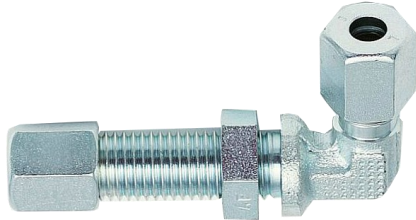
EQUAL TEE CONNECTORS FOR STEEL TUBE

| EQUAL TEE CONNECTOR DESCRIPTION | D | SW | SW1 | PART NUMBER |
|---------------------------------|-----|------|------|-------------|
| STEEL EQUAL TEE CONNECTOR | 4MM | 9MM | 10MM | 104-300 |
| STEEL EQUAL TEE CONNECTOR | 6MM | 11MM | 12MM | 106-300 |
| STEEL EQUAL TEE CONNECTOR | 6MM | 12MM | 14MM | 106-300-L |
| STEEL EQUAL TEE CONNECTOR | 8MM | 12MM | 14MM | 108-300 |
| STEEL EQUAL TEE CONNECTOR | 8MM | 12MM | 17MM | 108-300-L |



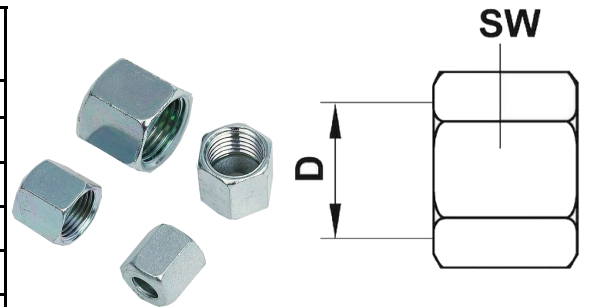
BULKHEAD ELBOW FOR STEEL TUBE

| BULKHEAD ELBOW DESCRIPTION | D | SW | SW1 | PART NUMBER |
|----------------------------|-----|------|------|-------------|
| STEEL BULKHEAD ELBOW | 6MM | 12MM | 14MM | 106-231-L |



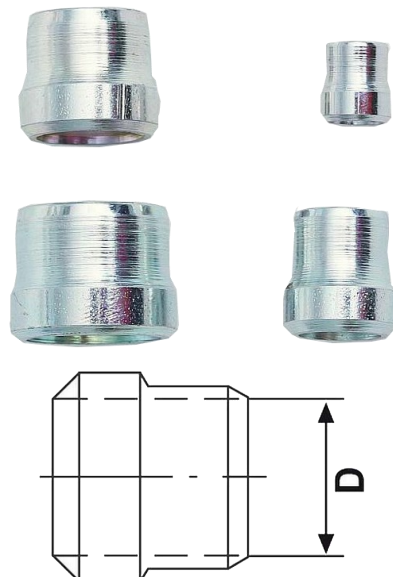
COUPLING NUTS FOR STEEL TUBE

| EQUAL TEE CONNECTOR DESCRIPTION | D | SW | PART NUMBER |
|---------------------------------|------|------|-------------|
| STEEL COUPLING NUT | 6MM | 17MM | 106-200-S |
| STEEL COUPLING NUT | 6MM | 14MM | 106-200-L |
| SS COUPLING NUT | 6MM | 12MM | 106-200-VA |
| STEEL COUPLING NUT | 8MM | 14MM | 108-200 |
| STEEL COUPLING NUT | 10MM | 19MM | 110-200-L |
| STEEL COUPLING NUT | 4MM | 10MM | 104-200 |



CUTTING RINGS FOR STEEL TUBE

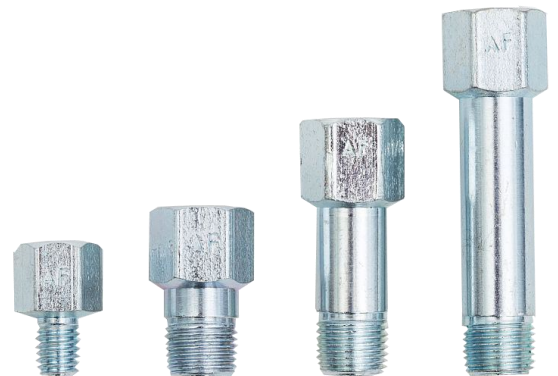
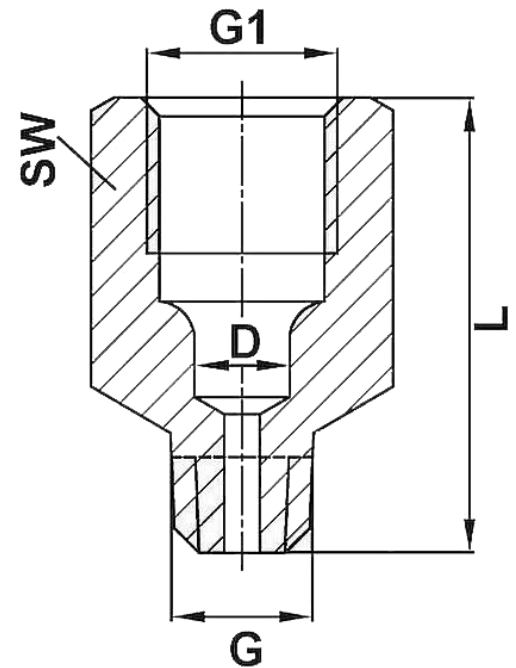
| CUTTING RING DESCRIPTION | D | PART NUMBER |
|--------------------------|------|-------------|
| STEEL CUTTING RING | 4MM | 104-210 |
| STEEL CUTTING RING, | 6MM | 106-210 |
| STEEL CUTTING RING | 10MM | 106-210-L |
| BRASS CUTTING RING | 6MM | 106-210-MS |
| SS CUTTING RING | 6MM | 106-210-VA |
| STEEL CUTTING RING | 8MM | 108-210 |
| STEEL CUTTING RING | 10MM | 110-210-L |



LUBE POINT EXTENSIONS

EXTENSIONS

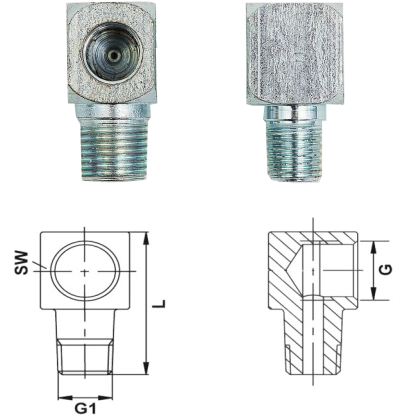
| EXTENSION PIECE DESCRIPTION | G | G1 | L | SW | PART NUMBER |
|---------------------------------|-------------|-------------|--------|------|-------------------|
| STEEL EXTENSION PIECE - ADAPTER | (M) 6X1 | (F) 8X1 | 19MM | 11MM | 100-120 |
| STEEL EXTENSION PIECE - ADAPTER | (M) 8X1 | (F) 8X1 | 18MM | 11MM | 100-130 |
| STEEL EXTENSION PIECE - ADAPTER | (M) 8X1 | (F) 8X1 | 32MM | 11MM | 100-132 |
| STEEL EXTENSION PIECE - ADAPTER | (M) 8X1 | (F) 8X1 | 62.5MM | 11MM | 100-135 |
| STEEL EXTENSION PIECE - ADAPTER | (M) 8X1 | (F) 10X1 | 23MM | 13MM | 100-137 |
| STEEL EXTENSION PIECE - ADAPTER | (M) 10X1 | (F) 8X1 | 18MM | 11MM | 100-140 |
| STEEL EXTENSION PIECE - ADAPTER | (M) 10X1 | (F) 10X1 | 23MM | 13MM | 100-141 |
| SS ADAPTER | (M) 10X1 | (F) 10X1 | 23MM | 13MM | 100-141-VA |
| STEEL EXTENSION PIECE - ADAPTER | (M) 10X1 | (F) 10X1 | 18MM | 13MM | 100-142 |
| STEEL EXTENSION PIECE - ADAPTER | (M) 10X1 | (F) 10X1 | 40MM | 13MM | 100-143 |
| STEEL EXTENSION PIECE - ADAPTER | (M) 1/8 BSP | (F) 10X1 | 20MM | 17MM | 100-144 |
| STEEL EXTENSION PIECE - ADAPTER | (M) 10X1 | (F) 10X1 | 35MM | 13MM | 100-145 |
| STEEL EXTENSION PIECE - ADAPTER | (M) 10X1 | (F) 10X1 | 50MM | 13MM | 100-146 |
| STEEL EXTENSION PIECE - ADAPTER | (M) 1/4 BSP | (F) 1/8 BSP | 20MM | 17MM | 100-147 |
| STEEL ADAPTER, EXTENSION PIECE | (M) 1/8 BSP | (F) 1/8 BSP | 23MM | 13MM | 100-148 |
| SS ADAPTER | (M) 1/8 BSP | (F) 1/8 BSP | 23MM | 13MM | 100-148-VA |
| STEEL ADAPTER, EXTENSION PIECE | (M) 1/8 BSP | (F) 1/8 BSP | 35MM | 13MM | 100-149 |
| STEEL ADAPTER, EXTENSION PIECE | (M) 1/8 BSP | (F) 10X1 | 18MM | 13MM | 100-151 |
| STEEL ADAPTER, EXTENSION PIECE | (M) 1/8 BSP | (F) 1/8 BSP | 18MM | 13MM | 100-152 |
| STEEL ADAPTER, EXTENSION PIECE | (M) 1/8 BSP | (F) 1/8 BSP | 50MM | 13MM | 100-153 |
| STEEL ADAPTER, EXTENSION PIECE | (M) 1/8 BSP | (F) 1/4 BSP | 22MM | 17MM | 100-162 |
| STEEL ADAPTER, EXTENSION PIECE | (M) 10X1 | (F) 1/4 BSP | 22MM | 17MM | 100-171 |
| SS ADAPTER | (M) 6X1 | (F) 10X1 | 18MM | 13MM | 2510-201 |
| SS ADAPTER | (M) 6X1 | (F) 10X1 | 35MM | 13MM | 2510-202 |
| SS ADAPTER | (M) 6X1 | (F) 10X1 | 50MM | 13MM | 2510-203 |
| SS ADAPTER | (M) 1/8 BSP | (F) 1/8 BSP | 18MM | 11MM | 2510-204 |
| SS ADAPTER | (M) 1/8 BSP | (F) 1/8 BSP | 35MM | 13MM | 2510-205 |
| SS ADAPTER | (M) 1/8 BSP | (F) 1/8 BSP | 50MM | 13MM | 2510-206 |



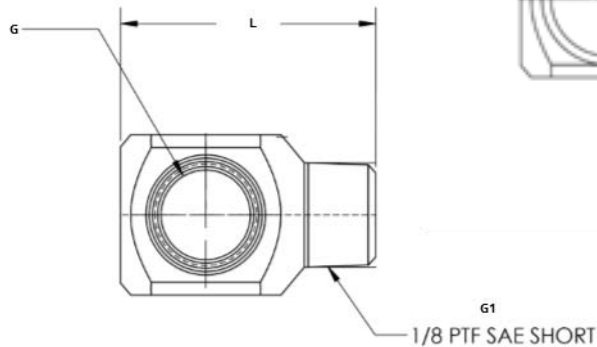
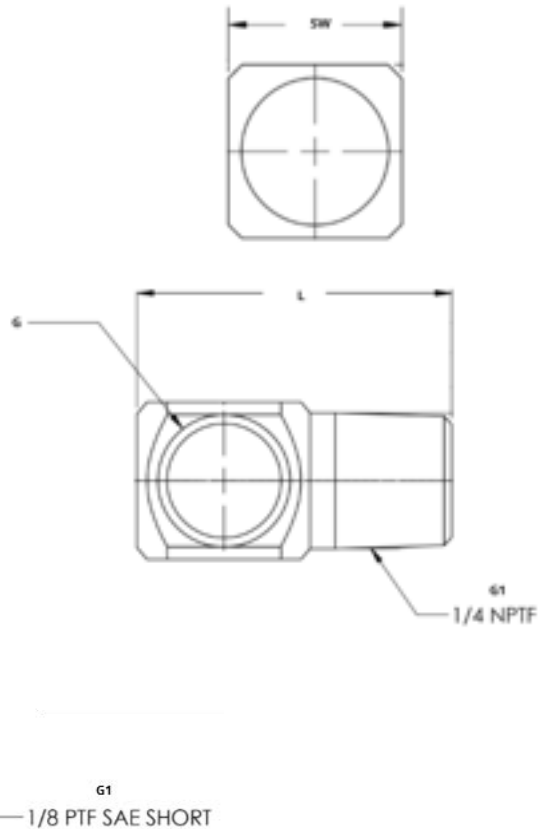
45° & 90° ELBOW ADAPTERS - METRIC/NPT

90° ELBOW ADAPTERS - METRIC

| METRIC 90° ADAPTER DESCRIPTION | G | G1 | L | SW | PART NUMBER |
|--------------------------------|-------------|-------------|------|------|-----------------|
| METRIC, STEEL ADAPTER 90° | (M) 8X1 | (F) 8X1 | 23MM | 12MM | 100-722 |
| METRIC, STEEL ADAPTER 90° | (M) 10X1 | (F) 10X1 | 23MM | 13MM | 100-733 |
| METRIC, STEEL ADAPTER 90° | (M) 1/8 BSP | (F) 1/8 BSP | 23MM | 13MM | 100-744 |
| METRIC, SS ADAPTER 90° | (M) 10X1 | (F) 10X1 | 23MM | 13MM | 5011-201 |

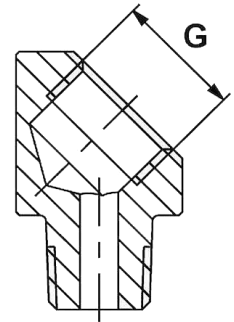
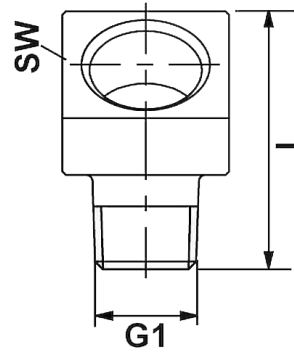


| US 90° ADAPTER DESCRIPTION | G | G1 | L | SW | PART NUMBER |
|---------------------------------|--------------|-----------------------|-------|-------|-------------------------|
| US, 1/4 NPTF SS 303 ADAPTER 90° | (M) 1/4 NPSF | (F) 1/4 NPTF | 1.25" | .625" | L590113-303 |
| US, 1/4 NPTF SS 316 ADAPTER 90° | (M) 1/4 NPSF | (F) 1/4 NPTF | 1.25" | .625" | L590113-316 |
| US, 1/8 NPTF SS 303 ADAPTER 90° | (M) 1/8 NPSF | (F) 1/8 NPTF | 1.00" | .625" | L590110-NPSF-303 |
| US, 1/8 NPTF SS 316 ADAPTER 90° | (M) 1/8 NPSF | (F) 1/8 PTF SAE SHORT | 1.00" | .625" | L590110-316 |



45° ELBOW ADAPTERS - METRIC

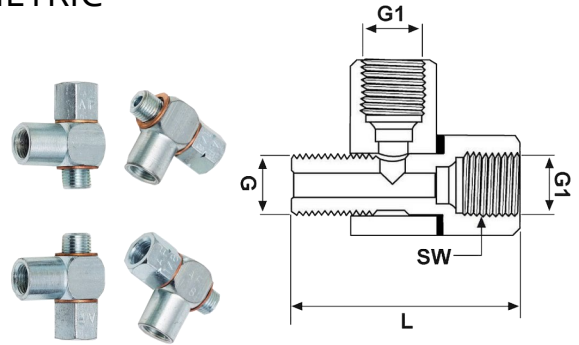
| 45° ADAPTER DESCRIPTION | G | G1 | L | SW | PART NUMBER |
|-------------------------|-------------|-------------|------|------|-----------------|
| STEEL ADAPTER 45° | (M) 8X1 | (F) 8X1 | 23MM | 13MM | 100-822 |
| STEEL ADAPTER 45° | (M) 10X1 | (F) 10X1 | 23MM | 13MM | 100-833 |
| STEEL ADAPTER 45° | (M) 1/8 BSP | (F) 1/8 BSP | 23MM | 13MM | 100-844 |
| SS ADAPTER 45° | (M) 10X1 | (F) 10X1 | 23MM | 13MM | 5010-201 |



SWIVELS & BANJO FITTINGS - METRIC/NPT

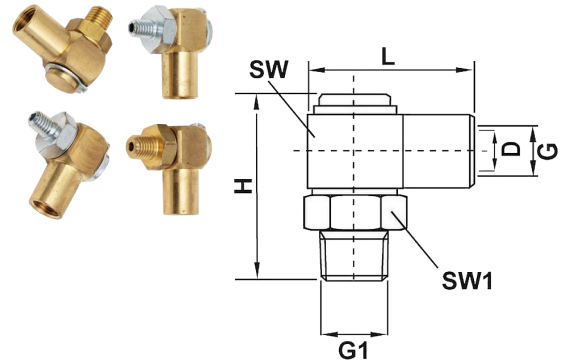
T-BANJO FITTINGS - METRIC

| T-BANJO FITTING DESCRIPTION | G | G1 | L | SW | PART NUMBER |
|--|------|------|------|------|-------------|
| ZINC PLATED STEEL T-BANJO SWIVEL FITTING | 10X1 | 10X1 | 35MM | 14MM | 1100-323 |



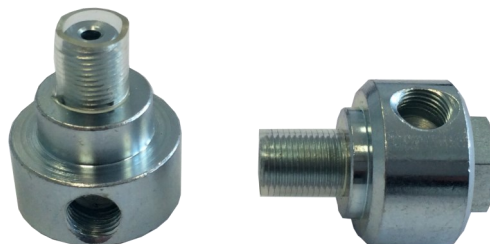
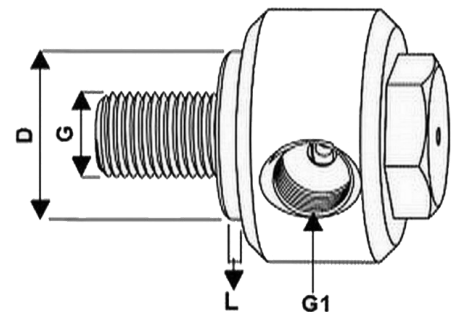
90° BANJO FITTINGS - METRIC

| BANJO FITTING DESCRIPTION | G | G1 | L | SW | SW1 | D | H | PART NUMBER |
|--|---------|----------|--------|------|------|-----|------|-------------|
| BRASS BANJO FITTING FREELY MOVABLE 90° | (M) 8X1 | (M) 8X1 | 26.5MM | 15MM | 14MM | 4MM | 30MM | 106-172 |
| BRASS BANJO FITTING FREELY MOVABLE 90° | (M) 8X1 | (M) 10X1 | 26.5MM | 15MM | 14MM | 4MM | 30MM | 106-173 |
| BRASS BANJO FITTING FREELY MOVABLE 90° | (M) 8X1 | 1/8 BSP | 29MM | 15MM | 14MM | 6MM | 30MM | 106-174 |



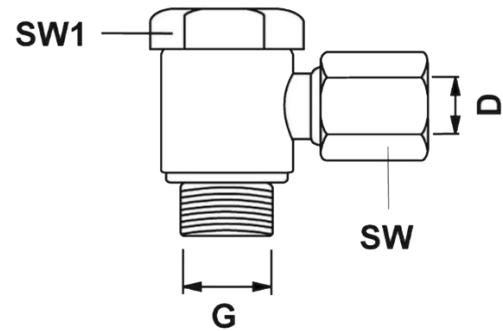
BANJOS FOR CONSTRUCTION VEHICLES - METRIC

| BANJOS FOR CONSTRUCTION VEHICLES DESCRIPTION | G | G1 | L | D | PART NUMBER |
|--|---------|---------|-----|------|-------------|
| STEEL SWIVEL UNION 90° | 10X1 | 10X1 | 3MM | 20MM | 1021-101 |
| STEEL SWIVEL UNION 90° | 10X1 | 10X1 | 8MM | 20MM | 1021-102 |
| STEEL SWIVEL UNION 90° | 1/8 BSP | 1/8 BSP | 3MM | 20MM | 1022-101 |
| STEEL SWIVEL UNION 90° | 1/8 BSP | 1/8 BSP | 8MM | 20MM | 1022-102 |



SWIVEL UNIONS - METRIC

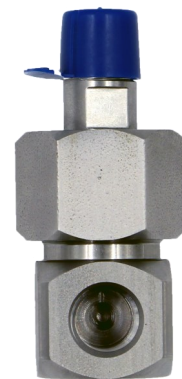
| SWIVEL UNION DESCRIPTION | G | D | SW | SW1 | PART NUMBER |
|--------------------------|------|-----|------|------|-------------|
| STEEL SWIVEL UNION 90° | 10X1 | 6MM | 10MM | 14MM | 106-123 |
| STEEL SWIVEL UNION 90° | 10X1 | 4MM | 10MM | 14MM | 1022-110 |



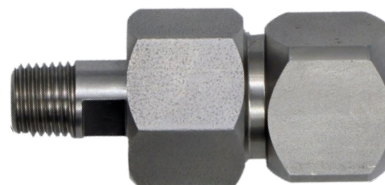
SWIVEL VALVE ASSEMBLIES - NPT

| PRODUCT DESCRIPTION | CONNECTION TYPE | MATERIAL | PART NUMBER |
|-------------------------------------|-----------------|----------|-------------|
| SWIVEL ASSEMBLY 1/4 NPTF X 1/4 NPSF | 90° ELBOW | CRS | L509405-000 |
| SWIVEL ASSEMBLY 1/4 NPTF X 1/4 NPSF | 90° ELBOW | 303 SS | L509405-303 |
| SWIVEL ASSEMBLY 1/4 NPTF X 1/4 NPSF | 90° ELBOW | 316 SS | L509405-316 |
| SWIVEL ASSEMBLY 1/4 NPTF X 1/4 NPSF | STRAIGHT | CRS | L509406-000 |
| SWIVEL ASSEMBLY 1/4 NPTF X 1/4 NPSF | STRAIGHT | 303 SS | L509406-303 |
| SWIVEL ASSEMBLY 1/4 NPTF X 1/4 NPSF | STRAIGHT | 316 SS | L509406-316 |

90 DEGREE ELBOW CONNECTION



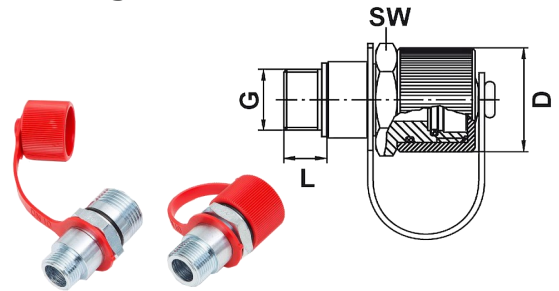
STRAIGHT CONNECTION



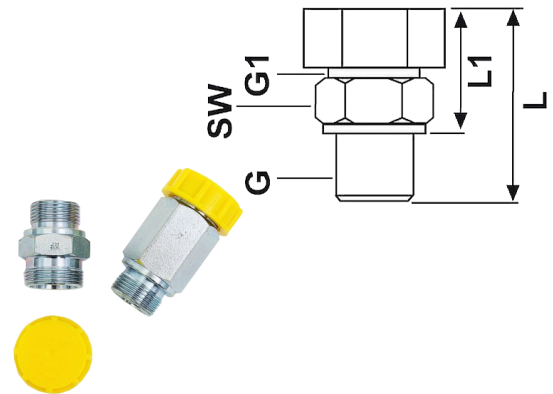
FILL FITTINGS - METRIC/NPTF

FILLING CONNECTION ADAPTERS

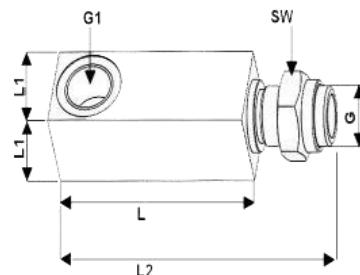
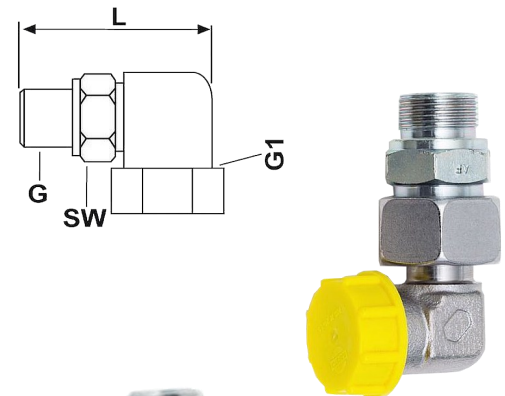
| FILLING CONNECTION FOR FILLING PUMP DESCRIPTION | G | D | SW | PART NUMBER |
|--|------------|------|------|-------------|
| STEEL FILLING CONNECTION FOR FILLING PUMP LFR100-201 | (M) 20X1.5 | 34MM | 32MM | 100-200 |
| STEEL FILLING CONNECTION FOR FILLING PUMP LFR100-201 | (M) 22X1.5 | 34MM | 32MM | 100-208 |



| STRAIGHT FILLING CONNECTION DESCRIPTION | G | G1 | L | L1 | SW | PART NUMBER |
|---|------------|------------|------|------|------|-------------|
| STEEL FILLING CONNECTION STRAIGHT | (M) 22X1.5 | (M) 26X1.5 | 38MM | 26MM | 27MM | 100-202 |
| STEEL FILLING CONNECTION STRAIGHT | (M) 20X1.5 | (M) 26X1.5 | 60MM | 48MM | 27MM | 100-207 |



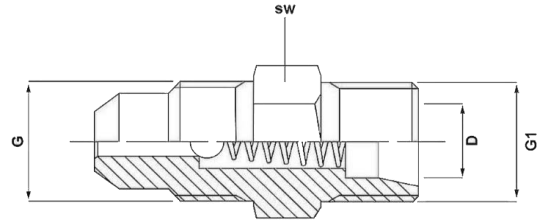
| 90° FILLING CONNECTION DESCRIPTION | G | G1 | L | L1 | L2 | SW | PART NUMBER |
|--|------------|------------|------|------|-------|------|-------------|
| STEEL ADAPTER FILLING CONNECTION 90° WITH STUB | (M) 20X1.5 | (M) 20X1.5 | 82MM | 30MM | 115MM | 27MM | 5022-101 |
| STEEL ADAPTER FILLING CONNECTION 90° WITH STUB | (M) 20X1.5 | (M) 20X1.5 | 47MM | 30MM | 80MM | 27MM | 5022-102 |
| STEEL ADAPTER FILLING CONNECTION 90° WITH STUB | (M) 22X1.5 | (M) 22X1.5 | 82MM | 30MM | 115MM | 27MM | 5022-103 |
| STEEL ADAPTER FILLING CONNECTION 90° WITH STUB | (M) 22X1.5 | (M) 22X1.5 | 47MM | 30MM | 80MM | 27MM | 5022-104 |
| STEEL FILLING CONNECTION 90° WITHOUT STUB | (M) 22X1.5 | (M) 26X1.5 | 71MM | N/A | N/A | 27MM | 100-203 |



CHECK (NON-RETURN VALVES - METRIC/NPTF)

NON-RETURN VALVES

| NON-RETURN VALVE DESCRIPTION | G | G1 | D | SW | SW1 | PART NUMBER |
|--|------|------|-----|------|------|--------------------|
| STEEL NON-RETURN VALVE COMPLETE | 10X1 | 10X1 | 6MM | 11MM | 12MM | 106-003-RVB |
| STEEL NON-RETURN VALVE COMPLETE | 10X1 | 10X1 | 6MM | 11MM | 12MM | 106-003-RVL |
| STEEL NON-RETURN VALVE COMPLETE | 10X1 | 10X1 | 6MM | 11MM | 12MM | 106-003-RVV |
| STEEL NON-RETURN VALVE ADAPTER 24° WITHOUT CLAMPING RING | 10X1 | 10X1 | 6MM | 11MM | N/A | 106-033-RVB |
| STEEL NON-RETURN VALVE ADAPTER 24° WITH CLAMPING RING | 10X1 | 10X1 | 6MM | 11MM | N/A | 106-033-RVL |
| STEEL NON-RETURN VALVE ADAPTER 24° | 10X1 | 10X1 | 6MM | 11MM | N/A | 106-033-RVV |



CHECK VALVES—OCV SERIES - NPT

OUTLET TYPE WITH SINGLE BALL

| CHECK VALVE DESCRIPTION | | | PART NUMBER | | |
|-------------------------|-------------|---------------|------------------|------------------|-----------------------|
| INLET SIZE | OUTLET SIZE | BALL OPEN PSI | 303 STAINLESS | 316 STAINLESS | ADAPTER REQUIREMENTS |
| 1/8" NPTF (M) | 1/4" TUBE | 35 | OCV-303-125-NPTF | OCV-316-125-NPTF | INTEGRAL TUBE FITTING |
| 1/8" ORS (M) | 1/4" TUBE | 35 | OCV-303-125-ORS | OCV-316-125-ORS | INTEGRAL TUBE FITTING |
| 1/8" BSPP (M) | 6MM TUBE | 35 | OCV-303-125-BSPP | OCV-316-125-BSPP | INTEGRAL TUBE FITTING |
| M10 ISO (M) | 6MM TUBE | 35 | OCV-303-125-ISO | OCV-316-125-ISO | INTEGRAL TUBE FITTING |
| 7/16"-20 SAE (M) | 1/4" TUBE | 35 | OCV-303-125-SAE | OCV-316-125-SAE | INTEGRAL TUBE FITTING |



CHECK VALVES - OCV SERIES - NPT

OUTLET TYPE WITH SINGLE BALL CHECK VALVES

| CHECK VALVE DESCRIPTION | | | PART NUMBER | | |
|-------------------------|---------------|---------------|------------------|------------------|----------------------|
| INLET SIZE | OUTLET SIZE | BALL OPEN PSI | 303 STAINLESS | 316 STAINLESS | ADAPTER REQUIREMENTS |
| 1/8" NPSF (M) | 1/8" NPTF (F) | 35 | OCV-303-125R-35 | OCV-316-125R-35 | TUBE FITTING |
| 1/8" NPSF (M) | 1/8" NPTF (F) | 60 | OCV-303-125R-60 | OCV-316-125R-60 | TUBE FITTING |
| 1/8" NPSF (M) | 1/8" NPTF (F) | 250 | OCV-303-125R-250 | OCV-316-125R-250 | TUBE FITTING |
| 1/4" NPTF (M) | 1/4" NPSF (F) | 35 | OCV-303-250R-35 | OCV-316-250R-35 | TUBE FITTING |



* FOR CHECK VALVE BULLETINS AND OPERATION/FUNCTION DETAILS PLEASE REFER TO BULLETINS: LSM011 & LSM029

CHECK (NON-RETURN VALVES - METRIC/NPTF) (CONTINUED)

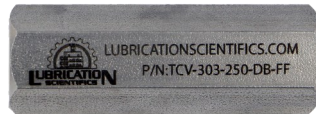
CHECK VALVES - TCV SERIES - NPT TERMINATING (INJECTION) DOUBLE BALL CHECK VALVES

| CHECK VALVE DESCRIPTION | | | PART NUMBER | | |
|-------------------------|---------------|---------------|--------------------|--------------------|-----------------------|
| INLET SIZE | OUTLET SIZE | BALL OPEN PSI | 303 STAINLESS | 316 STAINLESS | ADAPTER REQUIREMENTS |
| 1/4" TUBE | 1/8" NPTF (M) | 35 | TCV-303-125-NPTF | TCV-316-125-NPTF | INTEGRAL TUBE FITTING |
| 6MM TUBE | 1/8" BSPP (M) | 35 | TCV-303-125-BSPP | TCV-316-125-BSPP | INTEGRAL TUBE FITTING |
| 6MM TUBE | M10 (M) | 35 | TCV-303-125-ISO | TCV-316-125-ISO | INTEGRAL TUBE FITTING |
| 1/4" TUBE | 7/16"-20 SAE | 35 | TCV-303-125-SAE | TCV-316-125-SAE | INTEGRAL TUBE FITTING |
| 1/4" NPSF (F)** | 1/4" NPSF (F) | 50 | TCV-303-250-DB- | TCV-316-250-DB-FF | INLET & OUTLET |
| 1/4" NPSF (F)** | 1/8" NPTF (M) | 50 | TCV-303-250-DB-FM2 | TCV-316-250-DB-FM2 | INLET |
| 1/4" NPSF (F)** | 1/4" NPTF (M) | 50 | TCV-303-250-DB-FM4 | TCV-316-250-DB-FM4 | INLET |

**INTEGRAL
ADAPTER**



** HIGH OUTPUT



**HIGH OUTPUT
ADAPTER**



CHECK VALVES - TCV SERIES - NPT TERMINATING (INJECTION) SINGLE BALL CHECK VALVES

| CHECK VALVE DESCRIPTION | | | PART NUMBER | | |
|-------------------------|---------------|------|-----------------|-----------------|--------------|
| INLET SIZE | OUTLET SIZE | BALL | 303 STAINLESS | 316 STAINLESS | ADAPTER |
| 1/8" NPSF (F) | 1/8" NPTF (M) | 35 | TCV-303-125-35 | TCV-316-125-35 | TUBE FITTING |
| 1/8" NPSF (F) | 1/8" NPTF (M) | 60 | TCV-303-125-60 | TCV-316-125-60 | TUBE FITTING |
| 1/8" NPSF (F) | 1/8" NPTF (M) | 250 | TCV-303-125-250 | TCV-316-125-250 | TUBE FITTING |
| 1/4"NPTF (F) | 1/4" NPSF (M) | 35 | TCV-303-250-35 | TCV-316-250-35 | TUBE FITTING |



CHECK (NON-RETURN VALVES - METRIC/NPTF) (CONTINUED)

CHECK VALVE ADAPTERS, TERMINATING (INJECTION) - NPT

ADAPTS CHECK VALVES—FOR USE IN EITHER 1/8" NPTF OR 1/4" NPTF INJECTION PORTS
FOR HIGH OUTPUT: INSTALL SELECTED ADAPTER INTO OUTPUT END OF CHECK VALVE
FOR INTEGRAL FITTING: INSTALL CHECK VALVE INTO SIDE OF SELECTED ADAPTER

| CHECK VALVE DESCRIPTION | | | PART NUMBER | |
|-------------------------|---------------|-------------------------------|---------------|---------------|
| INLET SIZE | OUTLET SIZE | USE WITH | 303 STAINLESS | 316 STAINLESS |
| 1/4" NPSF (F) | 1/8" NPTF (M) | HIGH OUTPUT DOUBLE BALL CHECK | DBFFADP-2-303 | DBFFADP-2-316 |
| 1/4" NPSF (F) | 1/4" NPTF (M) | HIGH OUTPUT DOUBLE BALL CHECK | DBFFADP-4-303 | DBFFADP-4-316 |
| 1/8" NPSF (F) | 1/8" NPTF (M) | 1/8" NPTF TERMINATING CHECK | TCVADP-2-303 | TCVADP-2-316 |
| 1/8" NPSF (F) | 1/4" NPTF (M) | 1/8" NPTF TERMINATING CHECK | TCVADP-4-303 | TCVADP-4-316 |

HIGH OUTPUT



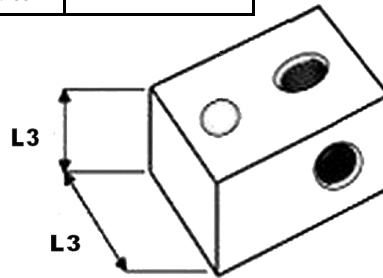
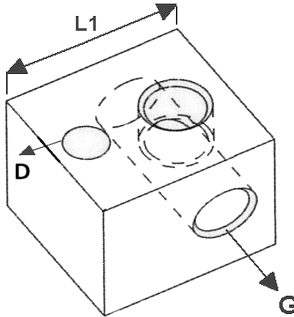
INTEGRAL ADAPTERS



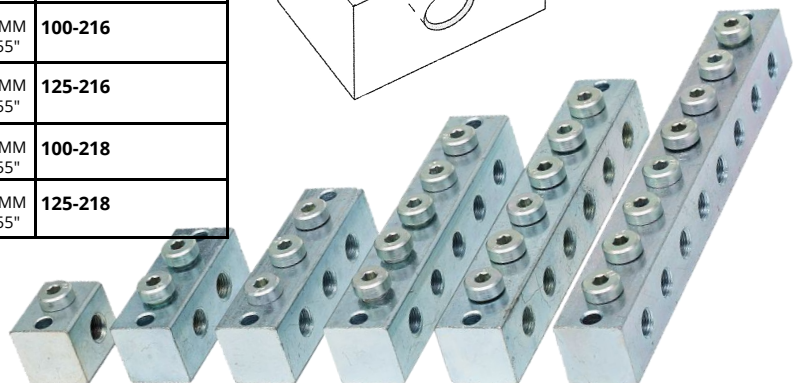
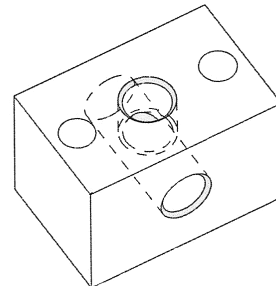
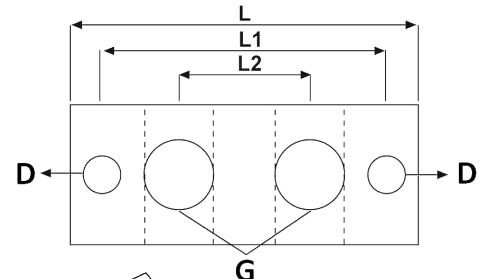
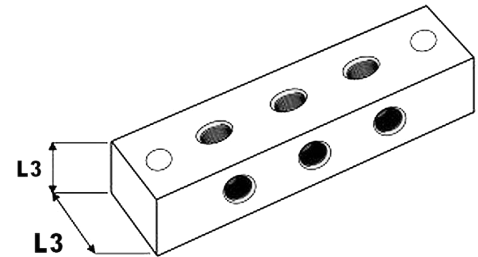
* FOR CHECK VALVE BULLETINS AND OPERATION/FUNCTION DETAILS PLEASE REFER TO BULLETINS: LSM011 & LSM029

ZERK (MANUAL LUBE) BARS

| 1 MOUNTING HOLE GREASE BLOCK DESCRIPTION | G | L | L3 | D | PART NUMBER |
|--|----------------|---------------|---------------|----------------|----------------|
| METRIC, M10 X 1 PORT (1 LINE) | (M) 10X1 | 30MM 1.18" | 25MM 1.00" | 6.5MM .255" | 100-211 |
| US, 1/8 NPSF (1 LINE) | 1/8-27 NPSF | 30MM 1.18" | 25MM 1.00" | 6.5MM .255" | 125-211 |



| 2 MOUNTING HOLE GREASE BLOCK DESCRIPTION | G | L | L1 | L2 | L3 | D | PART NUMBER |
|--|----------------|----------------|----------------|---------------|---------------|----------------|----------------|
| METRIC, M10 X 1 PORTS (2 LINE) | (M) 10X1 | 60MM 2.36" | 50MM 1.97" | 22MM .866" | 25MM 1.00" | 6.5MM .255" | 100-212 |
| US, 1/8 NPSF (2 LINE) | 1/8-27 NPSF | 60MM 2.36" | 50MM 1.97" | 22MM .866" | 25MM 1.00" | 6.5MM .255" | 125-212 |
| METRIC, M10 X 1 PORTS (3 LINE) | M10 X 1 | 84MM 3.31" | 74MM 2.91" | 22MM .866" | 25MM 1.00" | 6.5MM .255" | 100-213 |
| US, 1/8 NPSF (3 LINE) | 1/8-27 NPSF | 84MM 3.31" | 74MM 2.91" | 22MM .866" | 25MM 1.00" | 6.5MM .255" | 125-213 |
| METRIC, M10 X 1 PORTS (4 LINE) | (M) 10X1 | 106MM 4.17" | 96MM 3.78" | 22MM .866" | 25MM 1.00" | 6.5MM .255" | 100-214 |
| US, 1/8 NPSF (4 LINE) | 1/8-27 NPSF | 106MM 4.17" | 96MM 3.78" | 22MM .866" | 25MM 1.00" | 6.5MM .255" | 125-214 |
| METRIC, M10 X 1 PORTS (5 LINE) | (M) 10X1 | 128MM 5.04" | 118MM 4.65" | 22MM .866" | 25MM 1.00" | 6.5MM .255" | 100-215 |
| US, 1/8 NPSF (5 LINE) | 1/8-27 NPSF | 128MM 5.04" | 118MM 4.65" | 22MM .866" | 25MM 1.00" | 6.5MM .255" | 125-215 |
| METRIC, M10 X 1 PORTS (6 LINE) | (M) 10X1 | 150MM 5.91" | 140MM 5.51" | 22MM .866" | 25MM 1.00" | 6.5MM .255" | 100-216 |
| US, 1/8 NPSF (6 LINE) | 1/8-27 NPSF | 150MM 5.91" | 140MM 5.51" | 22MM .866" | 25MM 1.00" | 6.5MM .255" | 125-216 |
| METRIC, M10 X 1 PORTS (8 LINE) | (M) 10X1 | 194MM 7.64" | 184MM 7.25" | 22MM .866" | 25MM 1.00" | 6.5MM .255" | 100-218 |
| US, 1/8 NPSF (8 LINE) | 1/8-27 NPSF | 194MM 7.64" | 184MM 7.25" | 22MM .866" | 25MM 1.00" | 6.5MM .255" | 125-218 |

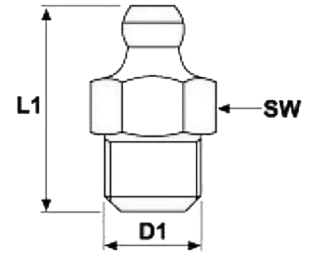


NOTE: ALL DIMENSION PROVIDED ARE +/- .1/16"

GREASE (ZERK) FITTINGS, FILL FITTINGS & CLOSURE PLUGS

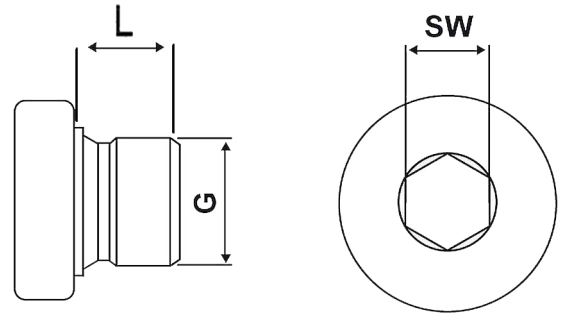
GREASE NIPPLES

| GREASE NIPPLE DESCRIPTION | G | L | PSI/BAR | PART NUMBER |
|---|------|--------|----------|-------------|
| ZINC PLATED STEEL HIGH PRESSURE GREASE NIPPLE | 10X1 | 20.7MM | 5800/400 | 250-003-RV |



CLOSURE PLUGS

| CLOSURE PLUG DESCRIPTION | G | L | SW | PART NUMBER |
|---|------------|--------|-------|----------------|
| US, 1/8 NPSF (WITH O RING) | 1/8-2 ORS | 6.25MM | 3/16" | A-002-S |
| US, BASEPLATE ISO PLUG | (M) 10X1 | 12MM | 3/16" | A-003-S |
| US, 1/8-28 BSP SEAL PLUG | 1/8-28BSPP | 10MM | 3/16" | A-004-S |
| US, 1/8-27 NPS SEAL PLUG | 1/8-27NPS | 10MM | 3/16" | A-005-S |
| US, MANUAL FILL FITTING 303 (WITH CAP & O-RING) | 1/8-27 ORS | 6.5MM | 3/16" | L90471-ORS-303 |
| US, MANUAL FILL FITTING 316 (WITH CAP & O-RING) | 1/8-27 ORS | 6.5MM | 3/16" | L90471-ORS-316 |
| INTERNAL CHECK KIT 303 (CAP O-RING BALL SPRING) | N/A | N/A | N/A | 1202-430 |
| INTERNAL CHECK KIT 316 (CAP O-RING BALL SPRING) | N/A | N/A | N/A | FL316-430 |
| STEEL CLOSURE PLUG | (M) 10X1 | 4.5MM | 5MM | 100-243 |
| STEEL CLOSURE PLUG | (M) 10X1 | 4.5MM | 5MM | 100-243-SW |



LFR100-243



1202-430



LFR100-243-SW



A-002-S



A-003-S



A-004-S



A-005-S



L90471-ORS-303

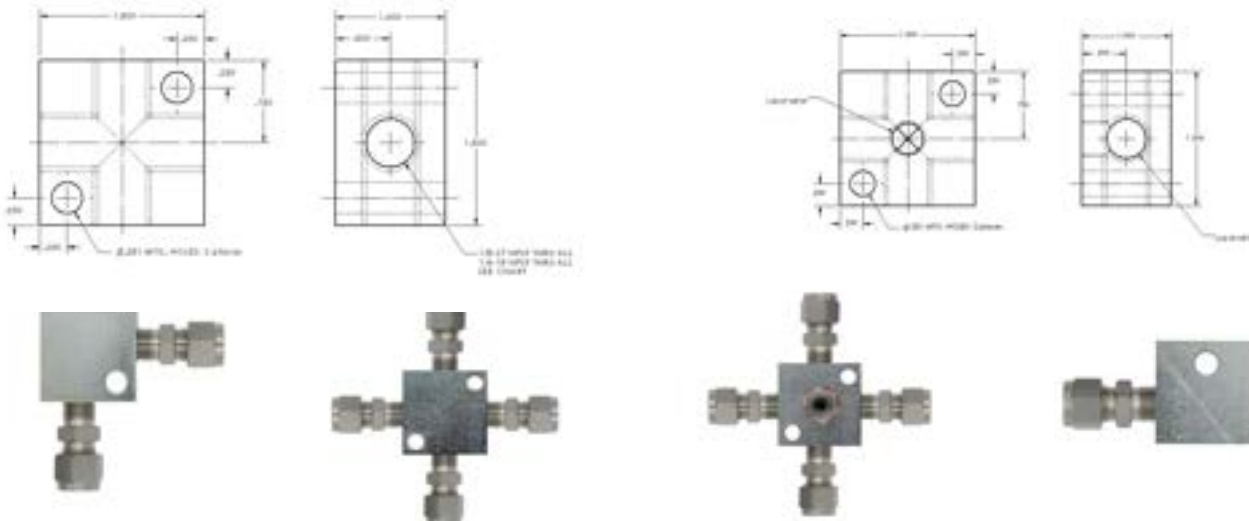


ANCHOR BLOCKS & HOSE DROPS - NPTF

| PRODUCT DESCRIPTION | CARBON STEEL | 303 STAINLESS STEEL | 316 STAINLESS STEEL |
|---|--------------|---------------------|---------------------|
| 4 WAY CROSS 1/8 NPSF (X4) 9/32 MTG HOLE | L509189-000 | L509189-303 | L509189-316 |
| 4 WAY CROSS 1/4 NPSF (X4) 9/32 MTG HOLE | L509188-000 | L509188-303 | L509188-316 |
| 5 WAY CROSS 1/4 NPSF (X4) 1/8 NPSF (X1) 9/32 MTG HOLE | L509190-000 | L509190-303 | L509190-316 |
| 2 WAY STRAIGHT 1/8 NPSF (X2) 9/32 MTG HOLE | L509180-000 | L509180-303 | L509180-316 |
| 2 WAY STRAIGHT 1/4 NPSF (X2) 9/32 MTG HOLE | L509185-000 | L509185-303 | L509185-316 |
| 90 DEGREE ELBOW 1/8 NPSF (X2) 9/32 MTG HOLE | L509170-000 | L509170-303 | L509170-316 |
| 90 DEGREE ELBOW 1/4 NPSF (X2) 9/32 MTG HOLE | L509175-000 | L509175-303 | L509175-316 |
| SIDE IN FRONT OUT 1/4 NPSF (X2) 17/64 MTG | L509177-000 | L509177-303 | L509177-316 |



DIMENSIONS & MOUNTING INFORMATION DIMENSIONS ARE IN INCHES





INFINITE POSSIBILITIES

Call: 1300 320 110
sales@ifield.com.au
www.ifield.com.au